

NOTES:

1. ALL DIMENSIONS ARE FOR REF. USE ONLY.
2. PRODUCT DIMENSIONS: U.S. IMPERIAL (inches) METRIC (mm).
3. \* = TECHNICAL DATA SUBJECT TO CHANGE WITHOUT NOTICE.
4. INSTALLATION: THIS PUMP MUST BE INSTALLED IN AN ENCLOSURE.
5. BIASED INLET VALVES TO ALLOW STARTING UNDER LOAD.

**GAST**

A UNIT OF **ICX** CORPORATION  
BENTON HARBOR, MI U.S.A.

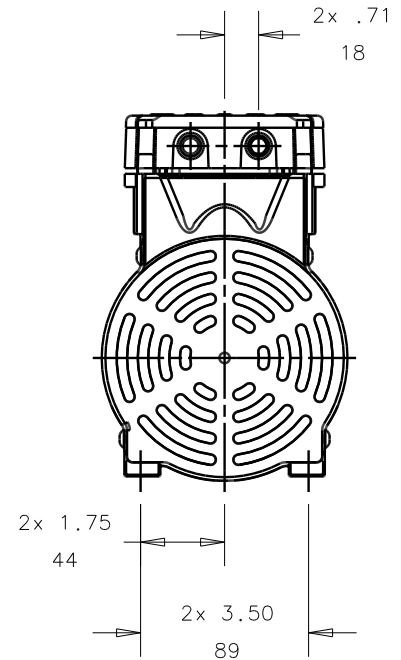
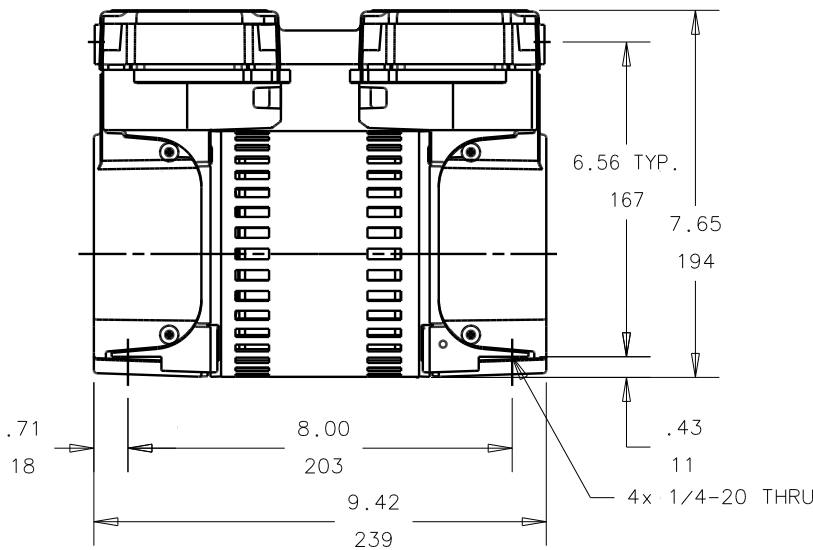
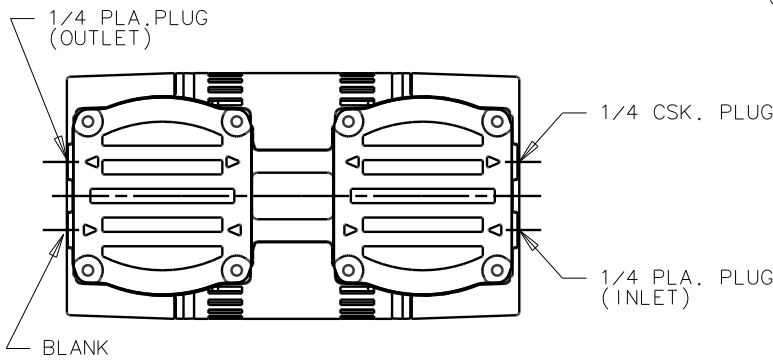
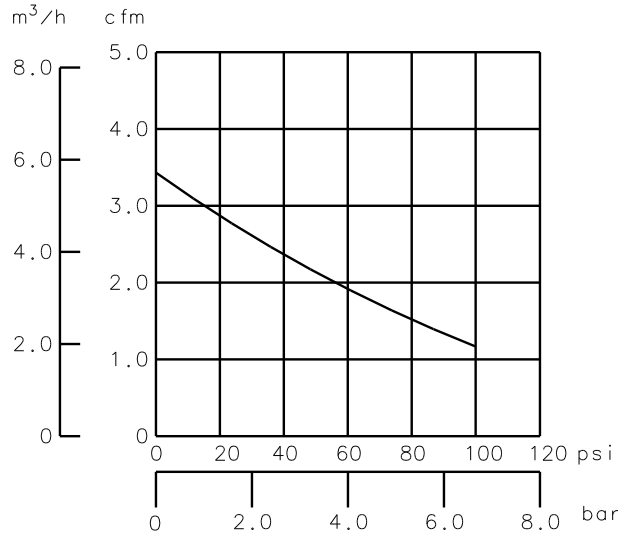
PART NUMBER  
**RTD642A**

REV.  
**A**

SOUND LEVEL  
NORMAL AMBIENT  
RELATIVE HUMIDITY  
ENVIRONMENT

LESS THAN 70 dB(A)  
+5 deg C - +40 deg C  
20% - 80%  
CLEAN DUST FREE

IDEXonline



Product Specifications

MODEL NUMBER	MOTOR	RPM		HP.	kW.	NET WT.		AMPS	CAPACITOR
		60 cycle	50 cycle			lbs.	kg.		
82R642-P112A-H302CX	220-240-50-1 VAC		1425	1/3	0.25	17.6	8.0	2.9	10.0 mfd.