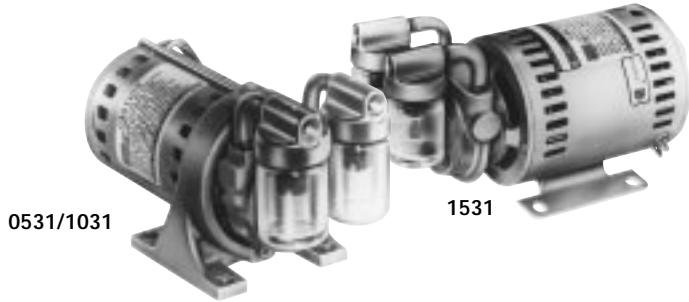




# Motor Mounted Rotary Vane 0.6, 1.1 and 1.5 cfm



## Oilless 0531, 1031, 1531 Series

### MODEL 0531 SERIES

20" HG MAX. VAC., 0.6 CFM OPEN FLOW  
15 PSI MAX. PRESSURE

### MODEL 1031 SERIES

20" HG MAX. VAC., 1.1 CFM OPEN FLOW  
10 PSI MAX. PRESSURE

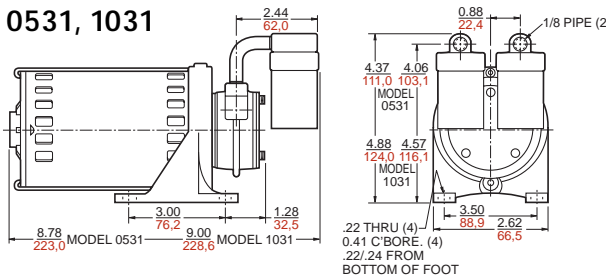
### MODEL 1531 SERIES (AC and 12 Volt)

20" HG MAX. VAC., 1.5 CFM OPEN FLOW  
10 PSI MAX. PRESSURE

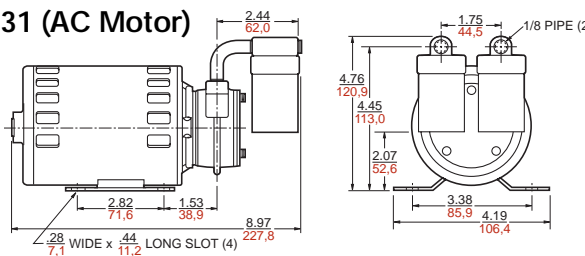
### Product Dimensions (mm, inches)

Dimensions are for reference only.

#### Models 0531, 1031



#### Model 1531 (AC Motor)



### PRODUCT FEATURES

- Oilless operation
- Motor mounted
- Rugged construction/low maintenance
- Essentially pulse-free service

### INCLUDES

- Muffler/filter AA922H
- Thermotector (on AC Models only)

### RECOMMENDED ACCESSORIES

- Vacuum relief valve AA204
- Vacuum gauge AA641
- Pressure relief valve AA203
- Pressure gauge AA642
- Repair kit K259 (0531), K219 (1031), K219 (1531)

**Product Specifications Note:** All models listed can be used as either a vacuum pump *or* compressor.

Model Number	Motor	RPM		HP	kW	Thermotector	Net Wt.	
		60 cycle	50 cycle				lbs.	kg
0531-102B-G600X	115/110-60/50-1	3450	2850	1/15	0,05	•	7	3,2
0531-102B-G606X	230/220-240-60/50-1	3450	2850	1/15	0,05	•	7	3,2
1031-102A-G603X	115/110-60/50-1	3450	2850	1/15	0,05	•	7	3,2
1031-102A-G372X	230-60/50-1	3450	2850	1/15	0,05	•	7	3,2
1531-107B-G288X	100-110/100-115-50/60-1	3450	2850	1/10	0,07	•	8	3,6
1531-107B-G557X <sup>1</sup>	115-60/50-1	3450	2850	1/10	0,07	•	7	3,2
1531-107B-G617	12 Volt DC	3450		1/8	0,09		9	4,1
1531-107B-G578	24V BLDC	variable*		1/10	0,07		9	4,1
1531-107B-G289X	220-240/230-50/60-1	3450	2850	1/10	0,07	•	7	3,2

<sup>1</sup>Includes 10 ft. cord and switch. \*Max. recommended speed 4000 rpm.

### Product Performance (Metric, U.S.)

