



Motor Mounted Rotary Vane 0.31 to 1.5 cfm

Oilless 0532, 1032, 1532 Series



0532 DC



1032 AC

MODEL 0532 SERIES

20" HG MAX. VAC., 0.31 OR 0.6 CFM OPEN FLOW
15 PSI MAX. PRESSURE

MODEL 1032 SERIES

20" HG MAX. VAC., 0.64 OR 1.1 CFM OPEN FLOW
10 PSI MAX. PRESSURE

MODEL 1532 SERIES

20" HG MAX. VAC., 1.5 CFM OPEN FLOW
10 PSI MAX. PRESSURE

PRODUCT FEATURES

- Oilless, pulse-free operation
- Motor mounted
- Low noise levels

INCLUDES

- Low and high speed motor options
- Internal sound suppression/filtration
- Thermotector (on AC Models only)
- Capacitor (unattached)
- On board controls for motor commutation on 24V BLDC 0532
- External cooling fan on low speed 1032 (unattached)
- Sound attenuator VG2016 (unattached)

RECOMMENDED ACCESSORIES

- Vacuum relief valve AA204
- Vacuum gauge AA641
- Pressure relief valve AA203
- Pressure gauge AA642
- Repair kit K494A (0532), K497 (1032/1532)

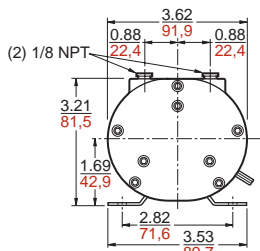
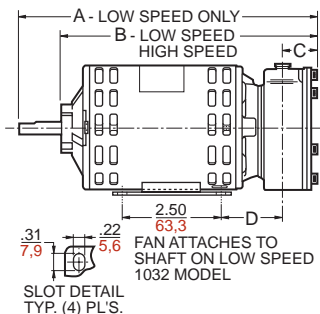
Product Dimensions (mm, inches)

Model	A	B	C	D	Model	A	B	C	D
0532 low speed	—	141,9	17,5	33,5	0532 low speed	—	5.59	0.69	1.32
0532 high speed	—	166,6	17,5	33,5	0532 high speed	—	6.56	0.69	1.32
1032 low speed	190,2	163,3	22,1	38,4	1032 low speed	7.49	6.43	0.87	1.51
1032 high speed	—	176,0	22,1	38,4	1032 high speed	—	6.93	0.87	1.51

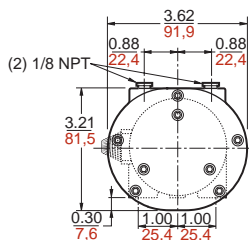
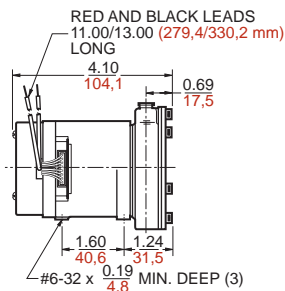
Dimensions are for reference only. Only AC motor options shown.

Note: Sound attenuator adds approximately 1" (25,4 mm).

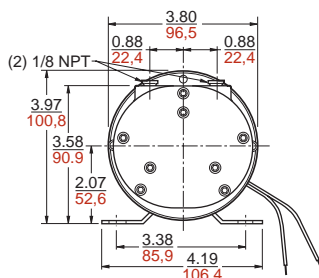
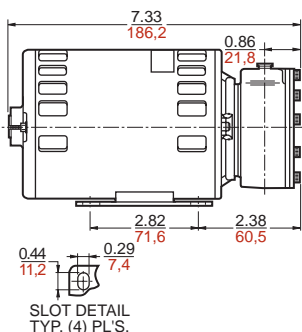
Models 0532, 1032



Model 0532 24V BLDC



Model 1532



Product Specifications

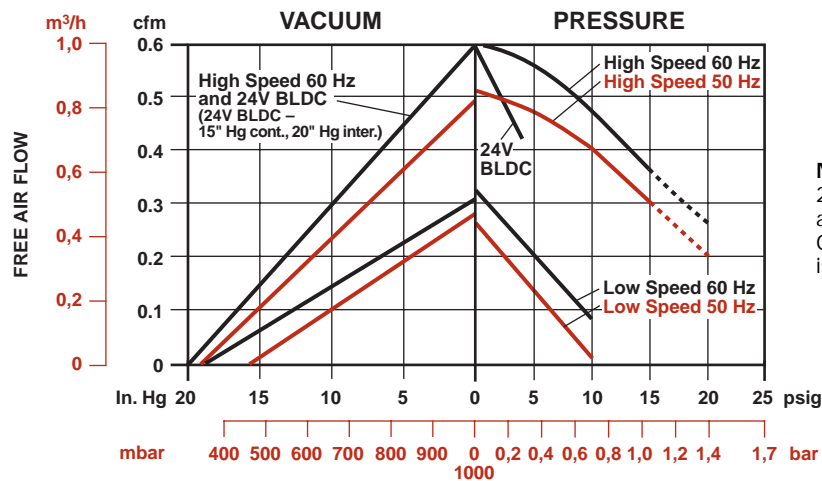
Note: All models listed can be used as either a vacuum pump or compressor.

Model Number	Motor	RPM		HP	kW	Thermotector	Net Wt.	
		60 cycle	50 cycle				lbs.	kg
0532-101-G590X	100-110/100-115-50/60-1	1725	1425	1/45	0,02	•	7	3,2
0532-101-G591X	220-240/230-50/60-1	1725	1425	1/45	0,02	•	7	3,2
0532-101-G621X	110/115-50/60-1	3450	2850	1/15	0,05	•	7	3,2
0532-101-G563B	24V BLDC	variable		1/30	0,02		4,5	2,1
1032-101-G619X	100-110/100-115-50/60-1	3450	2850	1/15	0,05	•	8	3,6
1032-101-G618X	220-240/230-50/60-1	3450	2850	1/15	0,05	•	8	3,6
1532-101-G288X	100-110/100-115-50/60-1	3450	2850	1/10	0,07	•	8	3,6
1532-101-G289X	220-240/230-50/60-1	3450	2850	1/10	0,07	•	8	3,6
1532-701-RM012*	220/240-50-1	—	2850	1/10	0,07	•	8	3,6

*Available only in Europe.

Product Performance (Metric, U.S.)

0532 Series



1032, 1532 Series

