



Separate Drive Rotary Vane 8.5, 17.0 and 21.0 cfm

Lubricated 1065, 2065, 2565 Series

MODEL 1065 SERIES

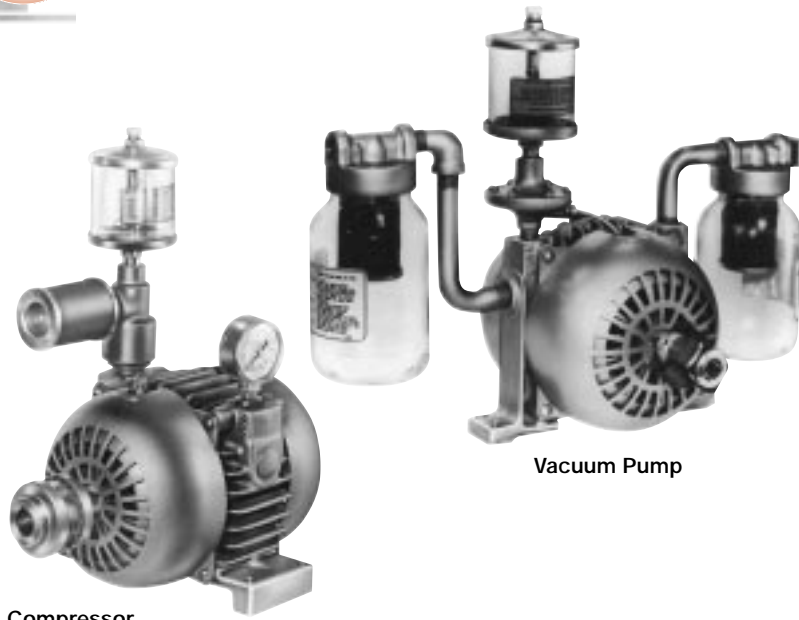
28" HG MAX. VAC., 8.5 CFM OPEN FLOW
25 PSI MAX. CONTINUOUS PRESSURE

MODEL 2065 SERIES

28" HG MAX. VAC., 17.0 CFM OPEN FLOW
15 PSI MAX. CONTINUOUS PRESSURE

MODEL 2565 SERIES

28" HG MAX. VAC., 21.0 CFM OPEN FLOW
15 PSI MAX. CONTINUOUS PRESSURE



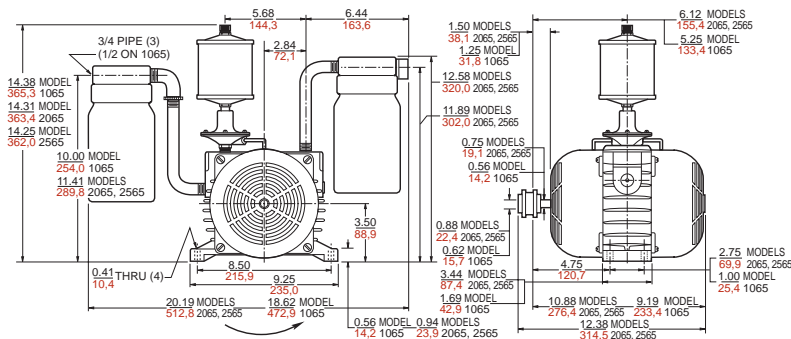
Vacuum Pump

Compressor

Product Dimensions (mm, inches)

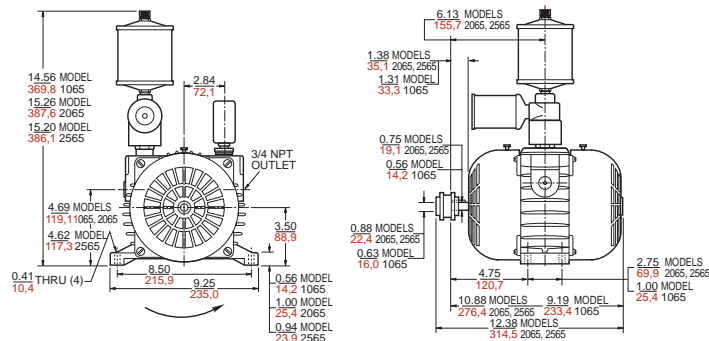
Dimensions are for reference only.

Vacuum Pump



Note: One piece coupling (AE542A) used on 1065,
3 piece (AE543B) used on 2065/2565.

Compressor



PRODUCT FEATURES

- Lubricated operation
- Rugged construction/low maintenance
- Essentially pulse-free service

INCLUDES

- Filter AC432 (1065), AC435 (2065/2565) – Compressors
- Pressure lubricator A380C (1065), AA95A (2065/2565)
- Pressure gauge AA644B
- Filter AA800C (1065), AA900D (2065/2565) – Vacuum Pumps
- Muffler AA800D (1065), AA900E (2065/2565) – Vacuum Pumps
- Oil reservoir AA960
- Fan guards AC102B, AC102C
- Fan AC326A (1065), AC326C (2065/2565)
- Coupling assembly AE542A (1065), AE543B (2065/2565)
- Vacuum lubricator V40C

RECOMMENDED ACCESSORIES

- Base AB320H (1065), AB320F (2065/2565)
- Coupling guard AE873
- Vacuum relief valve AA840A (1065), AA308 (2065/2565)
- Vacuum gauge AA640
- Oil AD220
- Pressure relief valve AA600 (1065), AA307 (2065/2565)
- Repair kit K297 (1065), K295 (2065), K296 (2565)

Product Specifications

Note: "P" models are pressure, "V" models are vacuum.

Model Number	Motor	RPM		HP	kW	Coupling Guard	Base	Thermotector	Net Wt.	
		60 cycle	50 cycle						lbs.	kg
1065-P18	Not included	1725	1425	1	0,74				22	9,9
1065-P20D-G38AX	115/230-60-1	1725	—	³ / ₄	0,56	•	•	•	53	23,9
1065-V2A	Not included	1725	1425	¹ / ₂	0,37				23	10,4
1065-V3B	Not included	1725	1425	¹ / ₂	0,37	•	•		36	16,2
1065-V4B-G34AX	115/230-60-1	1725	—	¹ / ₂	0,37	•	•	•	56	25,2
1065-V2A-SD50-1*	220-240-50-1	—	1425	¹ / ₂	0,37	•	•		56	25,2
2065-P8	Not included	1725	1425	¹ / ₂	1,1				41	18,5
2065-P9B	Not included	1725	1425	¹ / ₂	1,1	•	•		61	27,5
2065-P10B-T336	230/460-60-3	1725	—	¹ / ₂	1,1	•	•		92	41,4
2065-V2A	Not included	1725	1425	1	0,75				43	19,4
2065-V3C	Not included	1725	1425	1	0,75	•	•		55	24,8
2065-V4C-T334	230/460-60-3	1725	—	1	0,75	•	•		80	36,0
2565-P19	Not included	1725	1425	2	1,5				40	18,0
2565-P19-SD150-1*	220/240-380/415-50-3 IP54	—	1425	2	1,5	•	•		90	40,5
2565-V2A	Not included	1725	1425	¹ / ₂	1,1				38	17,1
2565-V3C	Not included	1725	1425	¹ / ₂	1,1	•	•		55	24,8
2565-V4C-T336	230/460-60-3	1725	—	¹ / ₂	1,1	•	•		84	37,8
2565-V89A-SD100-1*	380/415-50-3	—	1425	1	0,75	•	•		84	37,8

*Available only in Europe.

Product Performance (Metric, U.S.)

