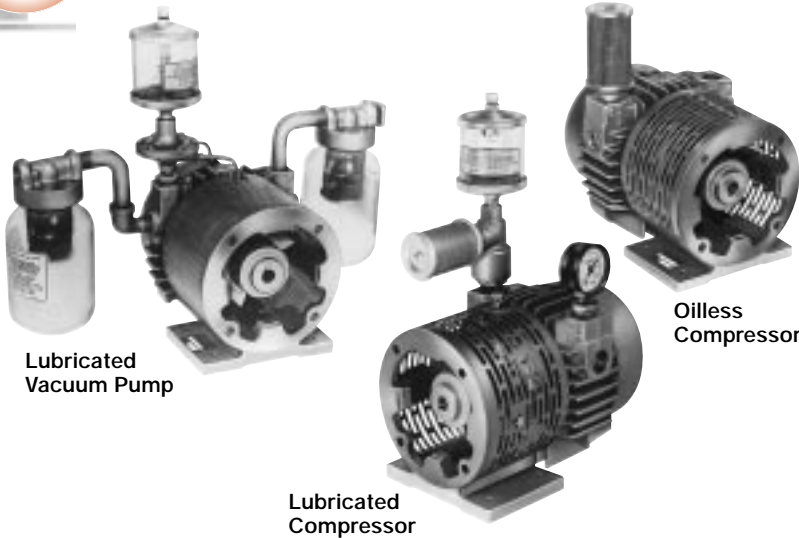




Separate Drive Rotary Vane 17 and 21 cfm



Lubricated Vacuum Pump

Lubricated Compressor

Oilless Compressor

Lubricated or Oilless 2067, 2567 Series

MODEL 2067 SERIES

LUBRICATED:

28" HG MAX. VAC., 17 CFM OPEN FLOW
15 PSI MAX. PRESSURE

OILLESS:

27" HG MAX. VAC., 17 CFM OPEN FLOW
15 PSI MAX. PRESSURE

MODEL 2567 SERIES

LUBRICATED:

28" HG MAX. VAC., 21 CFM OPEN FLOW
15 PSI MAX. PRESSURE

OILLESS:

27" HG MAX. VAC., 21 CFM OPEN FLOW
15 PSI MAX. PRESSURE

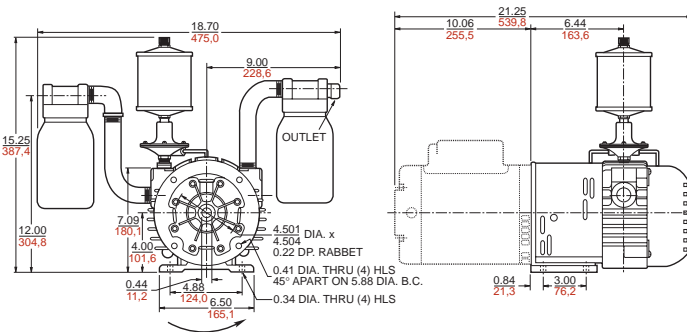
Product Dimensions (mm, inches)

Dimensions are for reference only.

Lubricated Versions

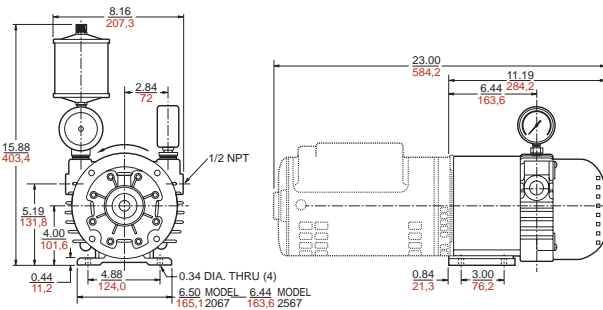
VACUUM PUMP (U.S. MODELS)

NEMA 56 FRAME, C FACE, INLET 3/4 IN. NPT



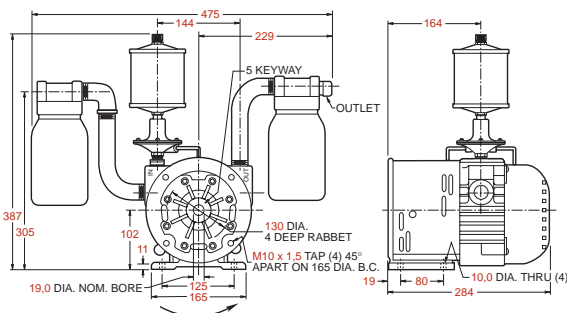
COMPRESSOR (U.S. MODELS)

NEMA 56 FRAME, C FACE, INLET 3/4 IN. NPT



VACUUM PUMP (METRIC MODEL)

INLET 3/4 IN. BSP



PRODUCT FEATURES

- Close coupled/easy motor mounting
- Rugged construction/low maintenance
- Essentially pulse-free service

INCLUDES

- Fan guards AC102C, AH194A
- Fan/coupling assembly AH198
- Filter AA900D (Vacuum Pump) – Lubricated
- Filter AC435 (Compressor) – Lubricated
- Muffler AA900E (Vacuum Pump) – Lubricated
- Filter AA905G (Compressor) – Oilless
- Muffler AA900F (Vacuum Pump) – Oilless
- Oil reservoir AA960
- Vac lubricator V40C
- Pressure lubricator AA95A
- Pressure gauge AA644B (U.S.) – Lubricated

RECOMMENDED ACCESSORIES

- Vacuum relief valve AA308 (U.S. Models)
- Vacuum relief valve AA308B (Metric Model)
- Vacuum gauge AA640 (U.S. Models)
- Vacuum gauge AA640C (Metric Model)
- Pressure relief valve AA307 (U.S. Models)
- Pressure gauge AA644B – Oilless
- Oil AD220
- Repair kit K349 – Lubricated
- Repair kit K350 – Oilless

Product Specifications

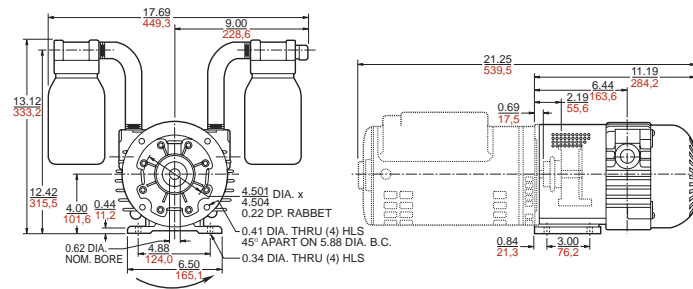
Note: "P" models are pressure, "V" models are vacuum.

Model Number	Motor	RPM		HP	kW	Net Wt.	
		60 Hz	50 Hz			lbs.	kg
LUBRICATED							
2067-P2	Not included	1725	1425	1½	1,1	46	20,7
2067-V1	Not included	1725	1425	1½	1,1	55	24,8
2567-P2	Not included	1725	1425	2	1,5	48	21,6
2567-V1	Not included	1725	1425	1½	1,1	51	23,0
2567-V3 (metric)	Not included	1725	1425	1½	1,1	51	23,0
2567-V5-G471 (like 2567-V1 plus motor)	230/460-60-3	1725	—	1½	1,1	93	41,9
2567-V3-CC110-1*	220/240-380/415-50-3	—	1425	1½	1,1	93	41,9
OILLESS							
2067-P102	Not included	1725	1425	1½	1,1	47	21,2
2067-V103	Not included	1725	1425	1½	1,1	55	24,8
2067-V105 (metric)	Not included	1725	1425	1½	1,1	55	24,8
2067-V107-G561X (like 2067-V103 plus motor)	110/220-240; 115/208-230/50/60-1	1725	1425	1	0,75	84	37,8
2567-P102	Not included	1725	1425	2	1,5	46	20,7
2567-P106-G475 (like 2567-P102 plus motor)	230/460-60-3	1725	—	2	1,5	81	36,5
2567-V103	Not included	1725	1425	1½	1,1	49	22,1
2567-V105 (metric)	Not included	1725	1425	1½	1,1	49	22,1
2567-V107-G471 (like 2567-V103 plus motor)	230/460-60-3	1725	—	1½	1,1	91	41,0
2567-V105-CC110-1*	220/240-380/415-50-3	—	1410	1½	1,1	93	41,9

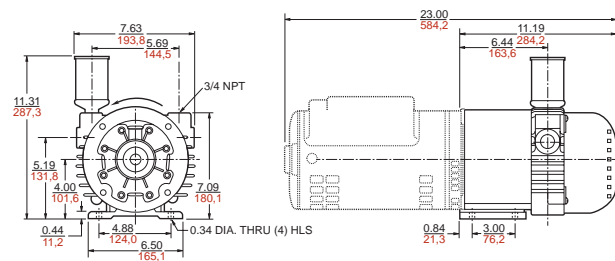
*Available only in Europe.

Oilless Versions

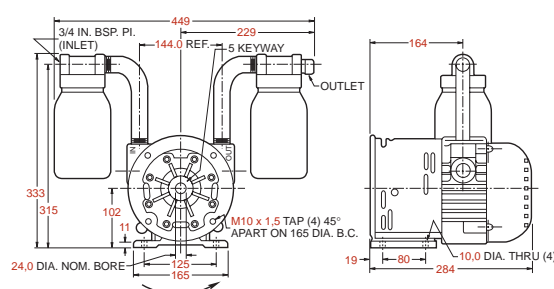
VACUUM PUMP (U.S. MODELS)
NEMA 56 FRAME, C FACE, INLET ¾ IN. NPT



COMPRESSOR (U.S. MODELS)
NEMA 56, C FACE

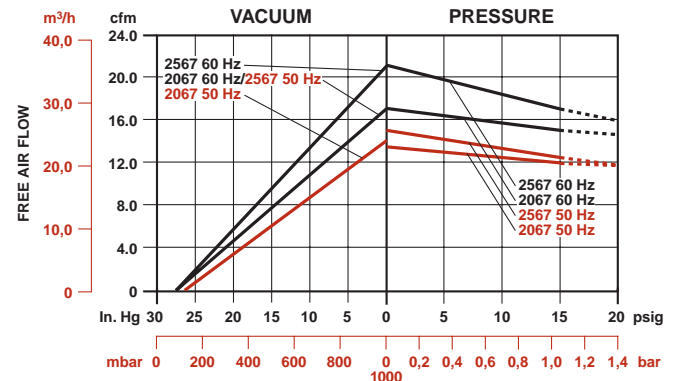


VACUUM PUMP (METRIC MODELS)
INLET ¾ IN. BSP



Product Performance (Metric, U.S.)

Lubricated



Oilless

