



Motor Mounted Rotary Vane 3.2, 4.5, 8.0 and 10.0 cfm

Lubricated 23 Series 0323, 0523, 0823, 1023 Models



MODEL 0323 SERIES (Vacuum Model)
25.0" HG MAX. VAC., 3.2 CFM OPEN FLOW

0323 LAB MODEL (Vacuum or Pressure)
Specially accessorized for laboratory use.
25.0" HG MAX. VAC. OR 10 PSI MAX. PRESSURE,
3.2 CFM OPEN FLOW

MODEL 0523 SERIES (Vacuum Model)
26.5" HG MAX. VAC., 4.5 CFM OPEN FLOW

0523 LAB MODEL (Vacuum or Pressure)
Specially accessorized for laboratory use.
26.0" HG MAX. VAC. OR 10 PSI MAX. PRESSURE,
4.5 CFM OPEN FLOW

MODEL 0823 SERIES (Vacuum Model)
26.5" HG MAX. VAC., 8.0 CFM OPEN FLOW

MODEL 1023 SERIES (Vacuum Model)
26.5" HG MAX. VAC., 10.0 CFM OPEN FLOW

PRODUCT FEATURES

- Lubricated operation
- Motor mounted
- Rugged construction/low maintenance
- Essentially pulse-free service

INCLUDES

- Foot support assembly AC136 (0323/0523) – Vacuum Models
- Thermotector (on Single Phase Units only)
- Oiler assembly AA930A (0323/0523) – Vacuum Models
- Constant level oiler AD125K (0823/1023)
- Oil reservoir AD117 (0823/1023)
- Filter V400G (0323/0523), AB599 (0823/1023)
- Muffler V425K (0323/0523), AB599C (0823/1023)

Lab Models:

- Gauges – Vacuum AA640, Pressure AA644B
- Hose barb AA254D
- Regulators AA986A
- Carrying handle AC174
- Cord with on/off switch AA896
- Foot support assembly AC136
- Muffler AB609B
- Filter AB609D
- Oiler assembly AA930B

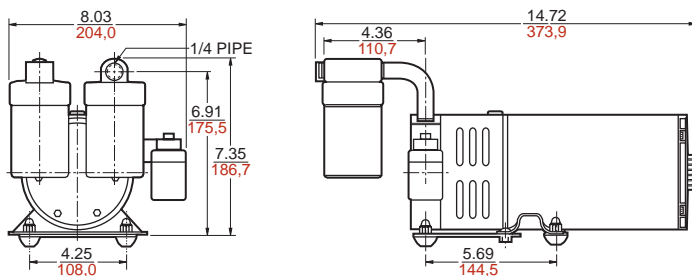
RECOMMENDED ACCESSORIES

- Vacuum relief valve AA207 (0323), AA840A (0523/0823/1023)
- Vacuum gauge AA640 – Vacuum Models
- Oil AD220
- Repair kit K485 (0323/0523) – Vacuum Models
- Repair kit K486 (0823/1023)
- Repair kit K556 (0323/0523) – Lab Models

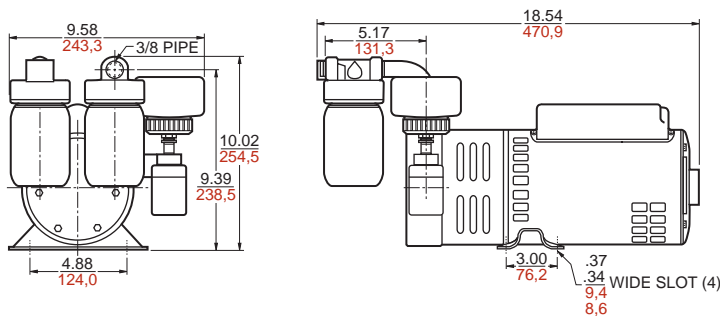
Product Dimensions (mm, inches)

Dimensions are for reference only.

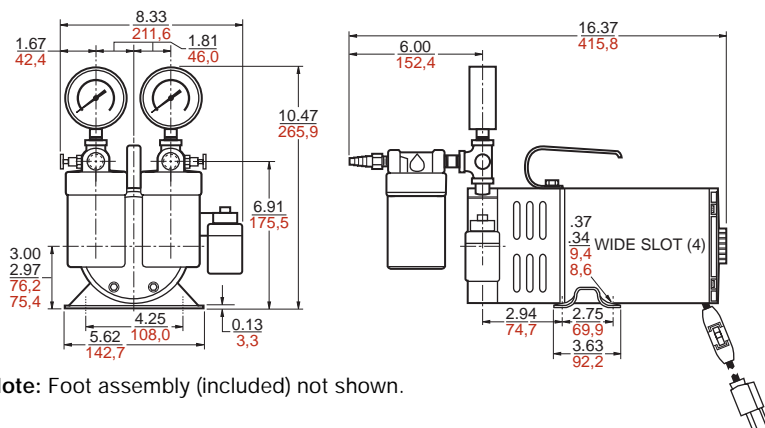
Models 0323/0523



Models 0823/1023



Lab Models 0323/0523



Note: Foot assembly (included) not shown.

Product Specifications

Note: All models listed below are vacuum models only except for the V4 (lab models) which are set up for vacuum or pressure.

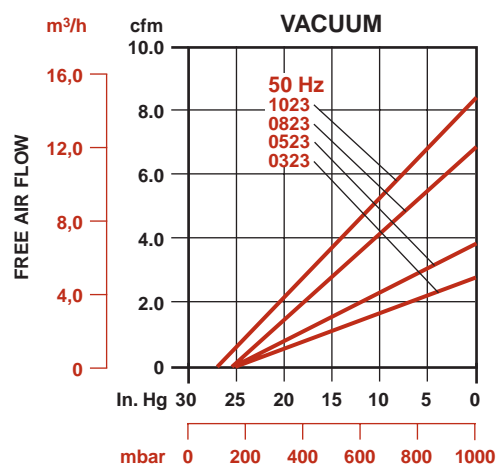
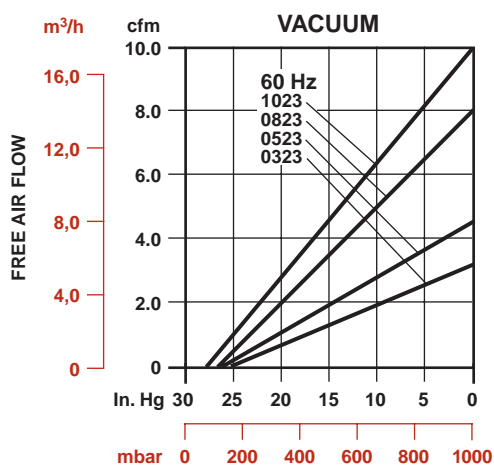
Model Number	Motor	RPM		HP	kW	Thermotector	Foot Assy.	Net Wt.	
		60 cycle	50 cycle					lbs.	kg
0323-V3-G582DX	100-110/100-115-50/60-1	1725	1425	1/3	0,25	•	•	33	14,9
0323-V4-G582DX*	110-110/100-115-50/60-1	1725	1425	1/3	0,25	•	•	35	15,8
0323-V4-G21DX*	220-50-1	—	1425	1/4	0,19	•	•	35	15,8
0523-V3-G582DX	100-110/100-115-50/60-1	1725	1425	1/3	0,25	•	•	33	14,9
0523-V3-G21DX	220-50-1	—	1425	1/4	0,18	•	•	33	14,9
0523-V803-ER32X**	110-120/220-240-50/60-1	—	1425	1/4	0,18	•	•	34	15,3
0523-V803-ER29**	220/250-380/420-50/60-3	1725	1425	1/4	0,18	•	•	33	14,9
0523-V4-G582DX	100-110/100-115-50/60-1	1725	1425	1/3	0,25	•	•	35	15,8
0523-V4-G21DX	220-50-1	—	1425	1/4	0,19	•	•	35	15,8
0823-V2-G608X	100-110/220-240; 100-115/208-230-50/60-1	1725	1425	3/4	0,56	•		54	24,3
1023-V2-G608X	100-110/220-240; 100-115/208-230-50/60-1	1725	1425	3/4	0,56	•		54	24,3
1023-V803-ER56X**	110-120/220-240-50/60-1	—	1425	3/4	0,56	•		52	23,4
1023-V803-ER76**	220/240-380/420-50/60-3	1725	1425	3/4	0,56			51	23,0
1023-V803-ER80**	220/240/380-440-50/60-3	1725	1425	3/4	0,56			51	23,0

*Lab Models.

**Available only in Europe.

Product Performance (Metric, U.S.)

Vacuum Models



Lab Models

Note: Performance shown is for operation as a vacuum pump or compressor, not combined.

